

Series 9300 Single Hung Window Installation Instructions

Installation Requires Knowledge of :

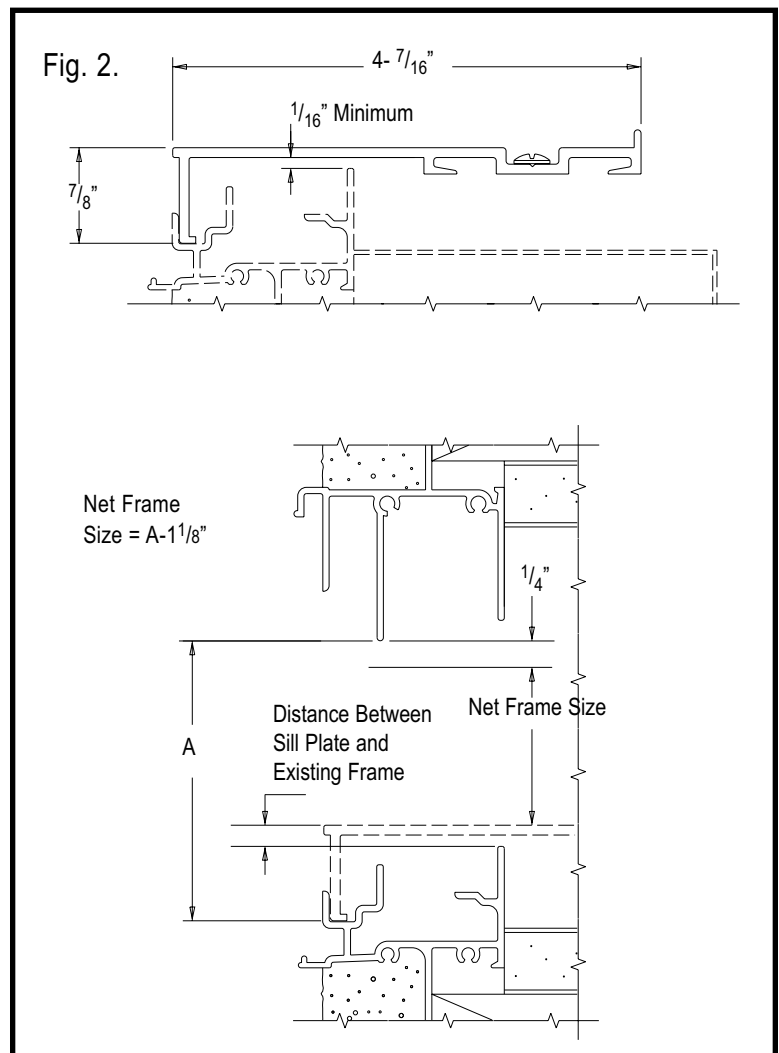
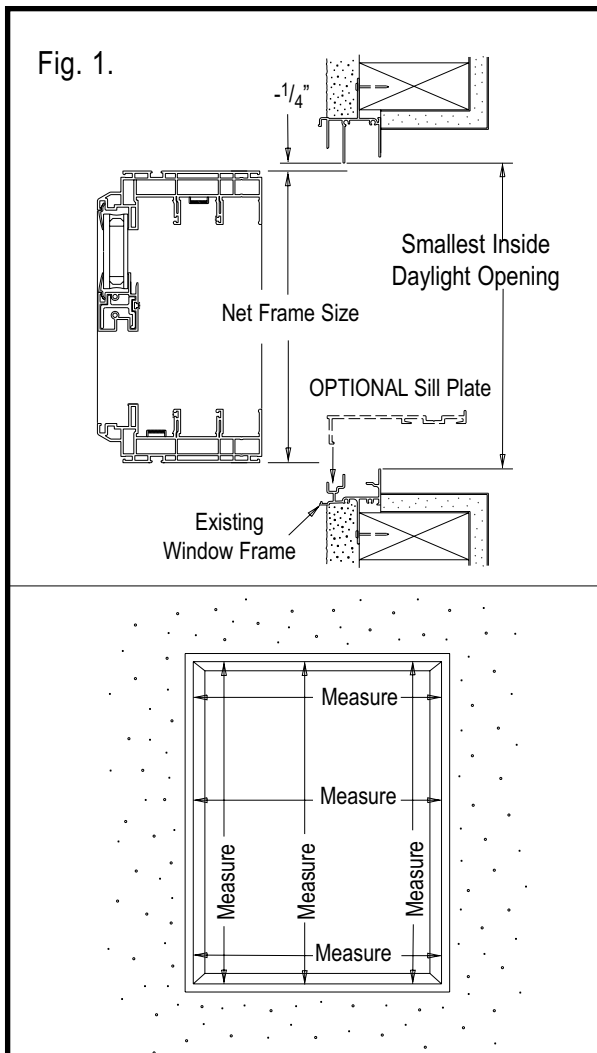
- Applicable Federal, State, Local Codes and Regulations.
- An Understanding of the Fundamentals of Residential Construction.
- A Working Knowledge of the Tools, Equipment and Methods Required for Installation.
- A Familiarity with Caulking, Sealing Procedures and Glass Handling Procedures.

The Installation covered here REQUIRES the following OPTIONAL items supplied by IWC;

Sill Plate
Exterior Trims
Interior Trims

1. Measuring Window Opening

A. Measure the opening in your existing window. The narrowest measurements in your window opening, excluding the fixed and rolling panels, will be the “daylight opening”. Measure existing daylight opening at the ends and the center. See Fig. 1. Deduct $1/4$ " from both the width and height of the daylight opening dimensions. A deduction for the distance between the top of the Sill Plate and the tallest wall on the existing sill is also needed to determine the “net frame size”. See Fig. 2. Consider the best location for installing the Sill Plate in the existing sill and then take your measurements.



2. Sill Plate Installation

A. Sill Plate should be cut to fit over existing sill and touch both existing jambs.

B. Horse Shoe shims or equal, are needed to support the Sill Plate at installation screw locations. Make sure Sill Plate is straight and level prior to fastening. Screws should be no more than 18" apart on center, with corner screws approximately 6" from jambs. See Fig. 3. Use #8 x 2" Phillips sheet metal screws. Length of screw may vary per job condition. Screws must be long enough to secure Sill Plate to existing wood sill. Anchor the exterior leg of the Sill Plate to the existing sill with #6 x 1/4" Phillips flat head sheet metal screws. Seal screw heads with an appropriate sealant after installing.

3. Frame Installation

A. Slide the new frame into the opening. See Fig. 4. Center frame between existing jambs and use shims to straighten and square frame. Wood filler blocks may be used to fill gaps between new and existing frames, but leave a small gap at the head for deflection. Measure frame diagonally across the corners to check for squareness. Adjust if needed.

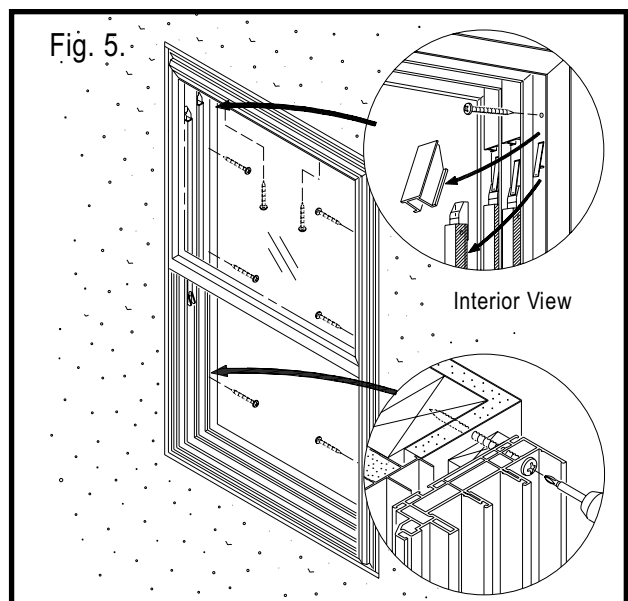
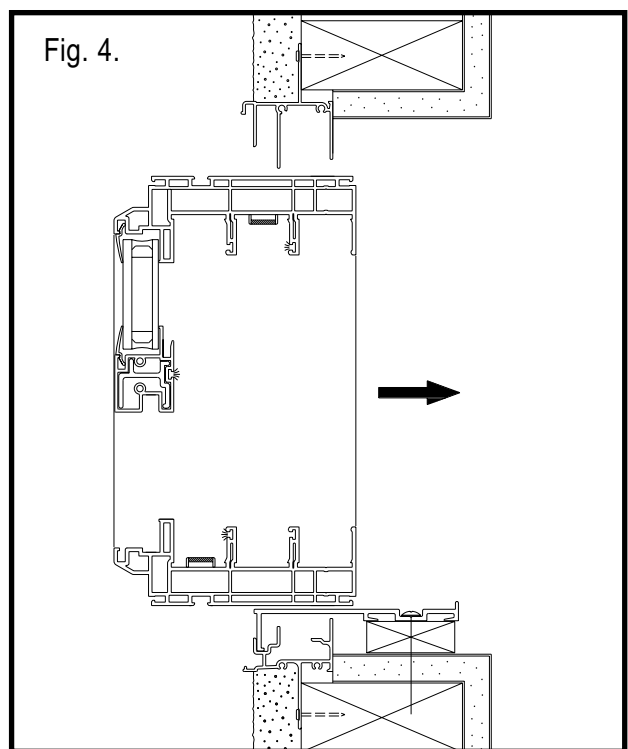
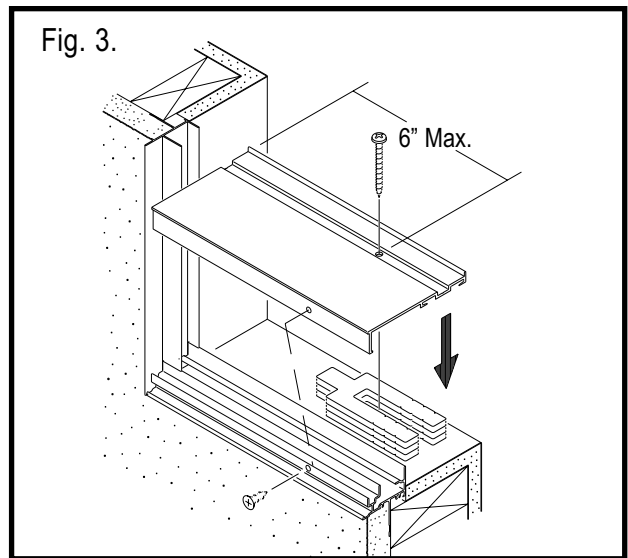
B. Screw head and jambs into frame opening using #8 x 1 1/2" Phillips sheet metal screws. Screws must be long enough to secure new frame to existing wood frame. Screw through the last channel in the head and jambs closest to the interior of the room. See Fig. 5. Screws should be no more than 18" apart on center with corner screws approximately 6" from end. Care should be taken not to over tighten screws, this would avoid warping. Leave a 1/4" gap at the head for deflection between the frames.

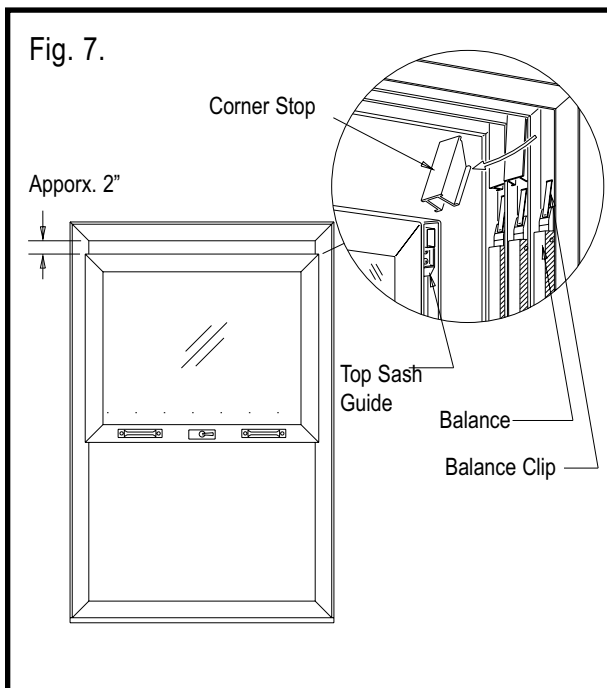
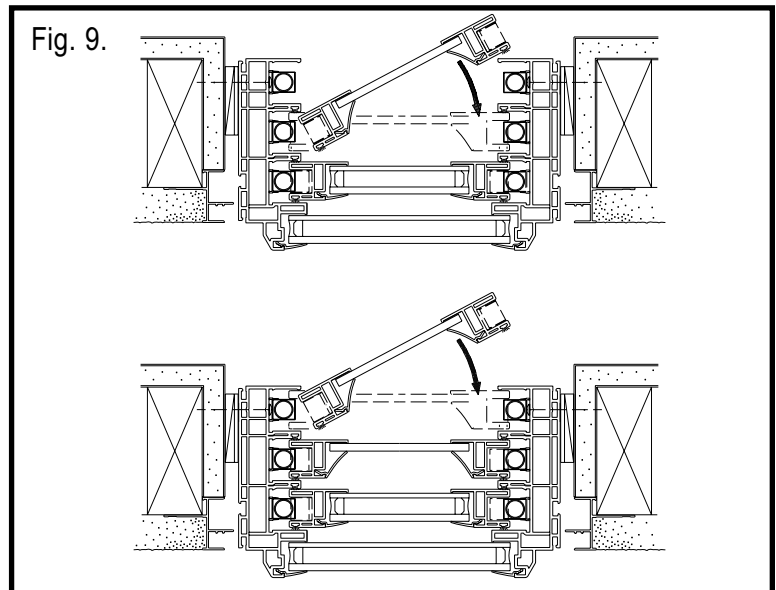
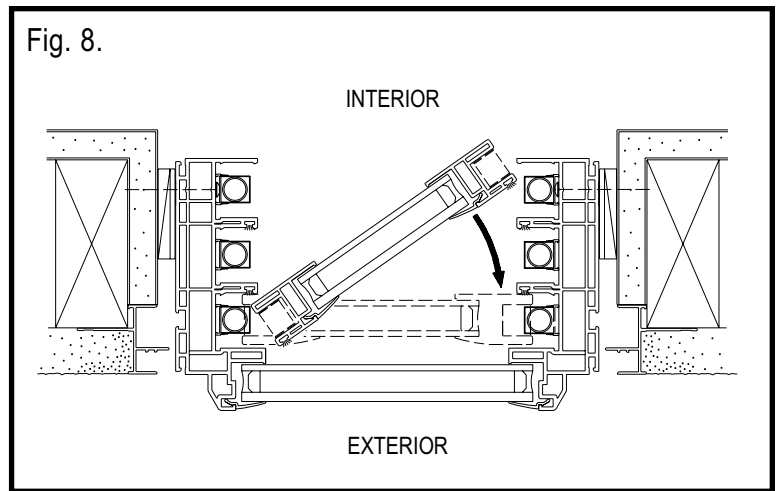
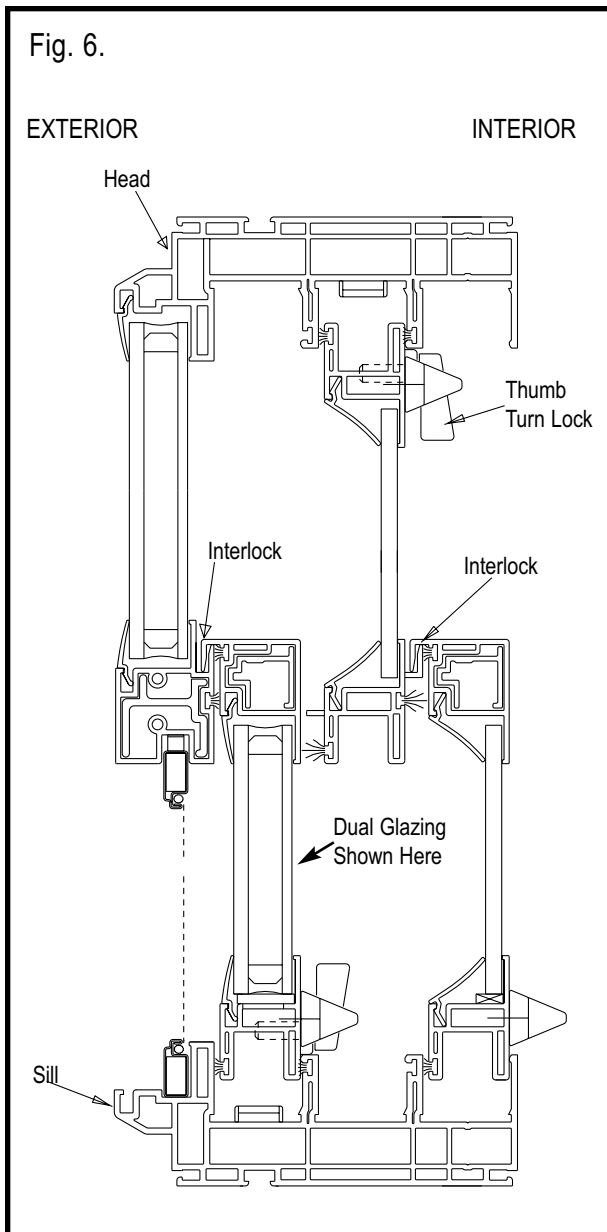
Temporary removal of the corner stops and sash balances in that channel may be necessary for screw installation. To remove balance, simply push down at the top of the unit to disengage from clip. Unhook balance from hole in jamb. To reinstall, just reverse the process. Corner stops just pull out.

4. Installation of Sash Panels

A. Sash panels will be installed from the interior. Corner stops, if installed, will have to be removed. The first panel to go in will be the exterior glass unit. See Fig. 6. for reference on sash arrangement. Lift the Sash up to the head of the frame. Note, located at the top of both sides of the sash are plastic top sash guides. See Fig. 7. These guides will rest on top of the balance mechanisms in both frame jambs. Allow approximately a 2" gap between the top of the sash and the frame head.

Insert one side of the sash into the outer most channel in the jamb. See Fig. 8. Push sash into the channel to allow the other end to clear opposite jamb. Once the sash is in the channel, center it in the frame. Lower sash to allow guides and balances to engage. Push sash down to sill. Both balances should move up and down with sash. If sash is operating properly, push down both balance clips flush with jamb surface.





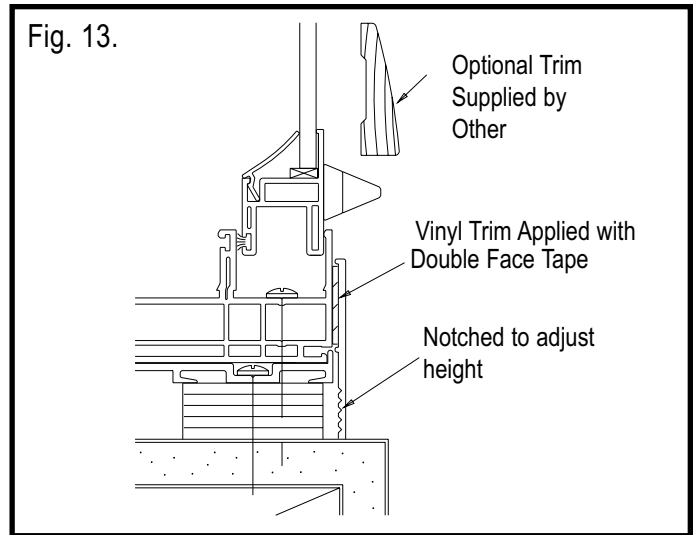
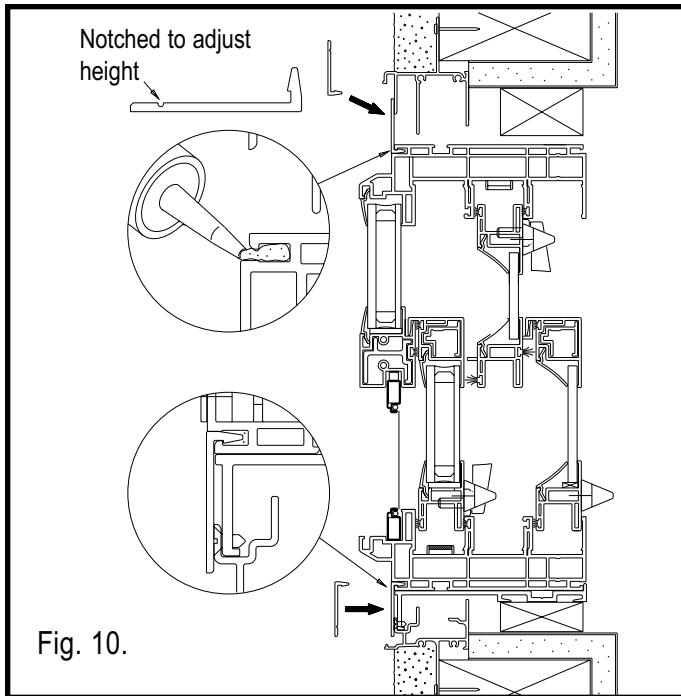
B. The other two panels are installed in the same manner. See Fig. 9. The second panel will have the locking mechanism installed in the top rail. This panel should have the interlock in the center of the opening and facing into the room. See Fig. 6. The final panel will have the interlock in the center of the opening, facing outward.

C. The screen frame may or may not be installed when the unit is delivered. The screen is installed from the exterior. Insert the screen frame, the side with two leaf springs, into the recess in the center mullion. Push frame into mullion until frame clears sill. Once frame is in the screen track, push frame down to rest on sill.

5. Exterior Trim Installation

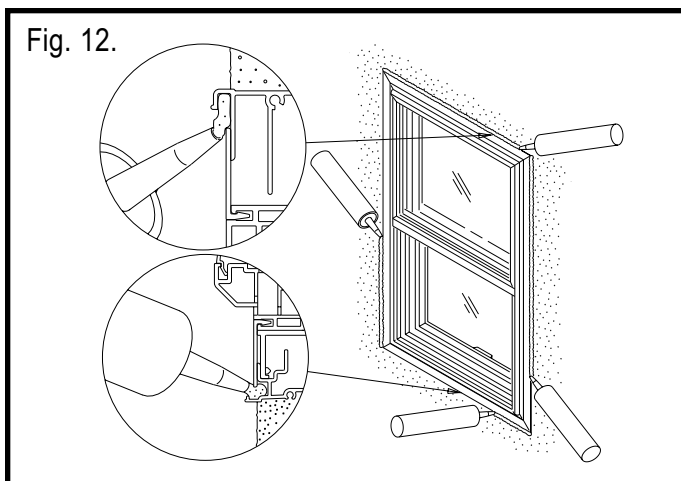
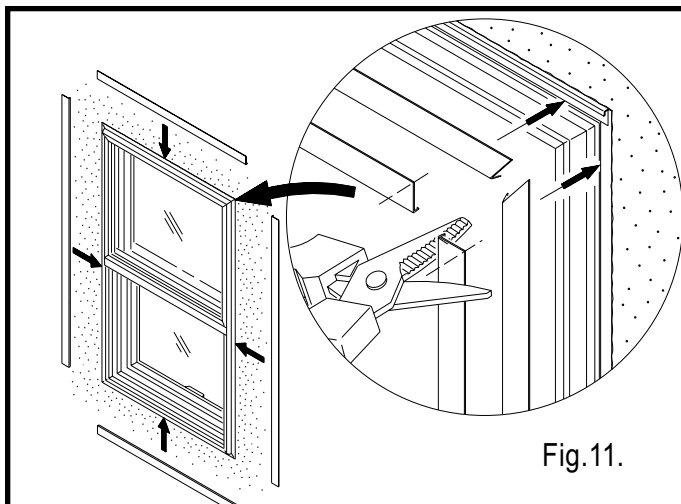
A. An optional flat trim material is available to finish off the exterior look. The trim material will be sealed with an appropriate sealant and snapped into the gap that follows the perimeter of the frame. See Fig. 10. Measure the pieces to the frame and with a sharp knife or a heavy scissor, make a 45° cut for a miter fit. Care should be taken not to over cut trim. See Fig. 11.

B. Use a recommended sealant for the type of job and materials being used to apply a continuous bead of sealant around the outer edge of the trim you just installed. See Fig. 12.



6. Interior Trim Installation

A. An optional flat vinyl interior trim is available for concealing the gap between the existing frame and the newly installed window. The trim is applied to the new frame with a double face tape. See Fig. 13. Measure and cut trim to fit. It is your option to use this trim or you may want to use a more decorative wood trim.



- ♦ Wood trim, plant-ons, and pot shelves all require special precautions. When necessary under these conditions use metal flashing to prevent paper flashing from tearing. Use metal flashing on any horizontal surfaces where water may not drain.
- ♦ Seal all holes in the building paper including those caused by staples or nails.
- ♦ Interfaces between our products, flashing and the building's weather resistive barrier must be sealed with a sealant recommended for this application. We cannot recommend a particular type or manufacturer of sealant.
- ♦ Holes drilled for alarms may not be placed on sills or heads and must be sealed.
- ♦ Extreme weather conditions may cause water intrusion into your home and subsequent water damage.
- ♦ Consult a licensed engineer for an appropriated rating for expected local weather conditions.

SEMI-YEARLY MAINTENANCE

- ♦ Improperly maintained products will reduced the performance of any window or door. The sills and weeps must be cleaned regularly to allow for drainage. Water in the sill during a rainstorm is normal.
- ♦ Weatherstrip should be cleaned and fluffed on a regular basis. Wearing of the wool pile is normal. Wool pile should be replaced if gaps between the weatherstrip and frame appear.
- ♦ Harsh abrasive cleaners should never be used on frames or glass surface.

PLEASE KEEP THESE INSTRUCTIONS IN YOUR HOME-OWNER'S PACKET.

Visit Our Website @ www.intlwindow.com

International Window Corporation

5625 Firestone Blvd.,
South Gate, CA 90280
1-800-477-3391
Fax 562-928-3492

International Window - Northern California

30526 San Antonio Street,
Hayward, CA 94544
510-487-1122
Fax 510-471-9387

