

Series 9300 Horizontal Slide Window

Installation Instructions

Retrofit on Sloped Sill Wood Frame

Installation Requires Knowledge of :

- Applicable Federal, State, Local Codes and Regulations.
- An Understanding of the Fundamentals of Residential Construction.
- A Working Knowledge of the Tools, Equipment and Methods Required for Installation.
- A Familiarity with Caulking, Sealing Procedures and Glass Handling Procedures.

The Installation covered here **REQUIRES** the following **OPTIONAL** items supplied by IWC;

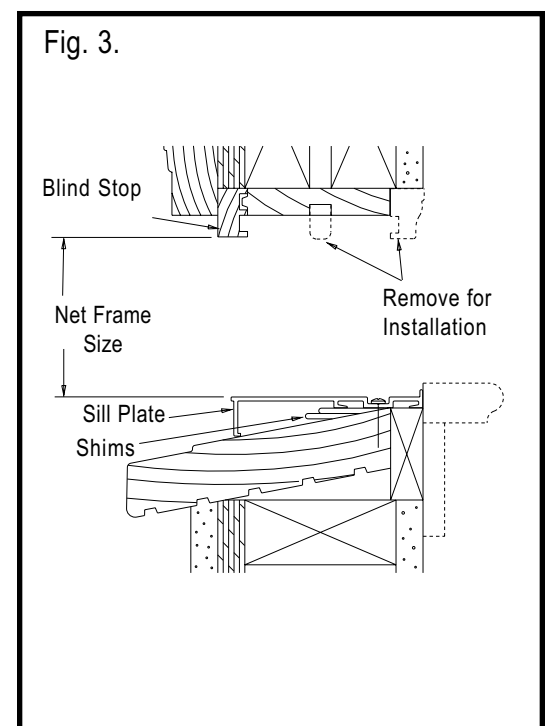
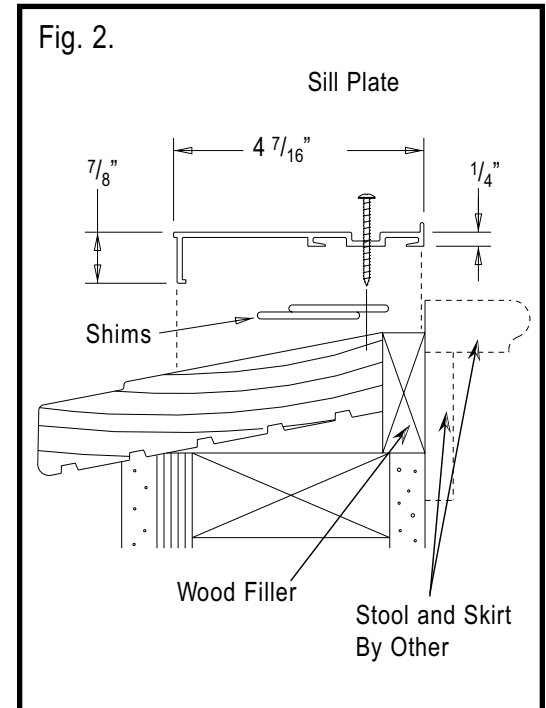
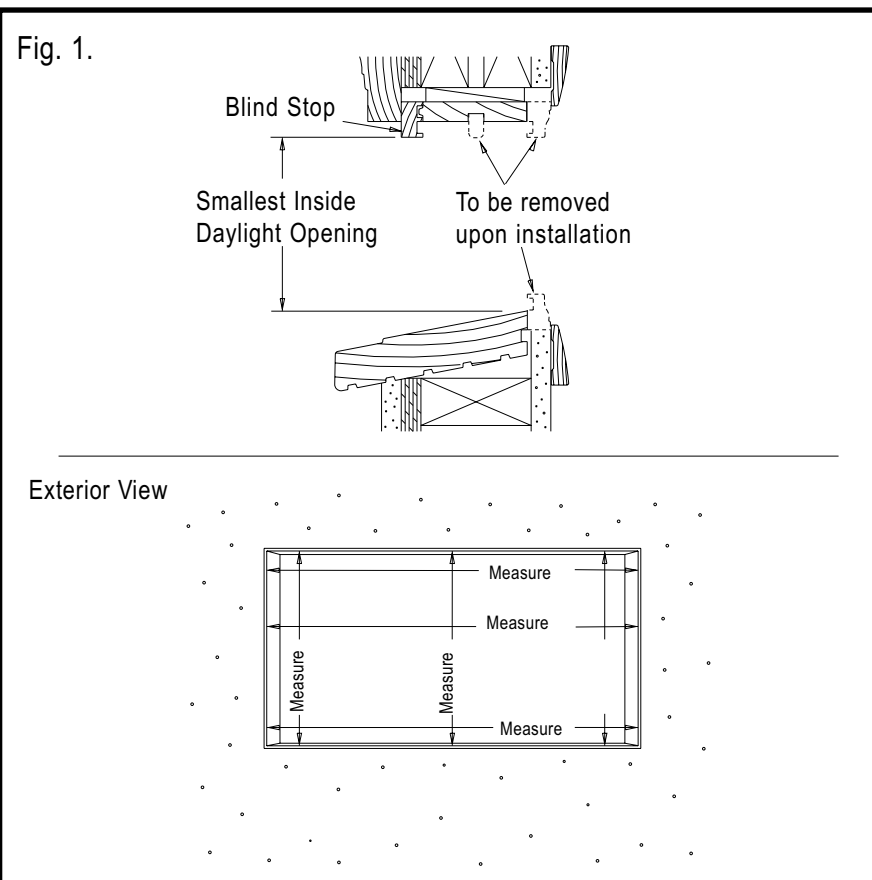
Sill Plate
Exterior Trims
Interior Trims

1

1. Measuring Window Openings

A. Measure the opening in your existing window. The narrowest measurements in your window opening, excluding the fixed and rolling panels, will be the daylight opening. Measure daylight opening at the ends and the center. See Fig. 1. Deduct 1/2" from the height of the daylight opening dimension. A 1/4" of this deduction is considered for the interior leg of the Sill Plate. See Fig. 2. Deduct 1/4" from the width dimension, this will determine the "net frame size".

See Fig. 3.



2. Sill Plate Installation

A. The existing wood frame may need to be modified to accommodate the new frame. Removal of certain parts of the frame will be needed. See Fig. 1. An additional frame block may be needed to support the Sill Plate towards the interior. See Fig. 3. Sill Plate should be cut to fit over existing sill and touch both existing jambs.

B. Horse Shoe shims or equal, are needed to support the Sill Plate at installation screw locations. Make sure Sill Plate is straight and level prior to fastening. Screws should be no more than 18" apart on center, with corner screws approximately 6" from jambs. See Fig. 4. Use #8 x 2" Phillips sheet metal screws. Length of screw may vary per job condition. Screws must be long enough to secure Sill Plate to existing wood sill. Seal screw heads with an appropriate sealant after installing.

3. Frame Installation

A. Slide the new frame into the opening. See Fig. 5. Center frame between existing jambs and use shims to straighten and square frame. Measure frame diagonally across the corners to check for squareness. Adjust if needed.

B. Screw head and jambs into frame opening using #8 x 1 1/2" Phillips sheet metal screws. Screws must be long enough to secure new frame to existing wood frame. Screw through the last channel in the head and jambs closest to the interior of the room. See Fig. 6. Screws should be 18" apart on center with corner screws approximately 6" from end. Care should be taken not to over tighten screws, this would avoid warping. Leave a 1/4" gap at the head for deflection between the frames.

4. Installation of Rolling Panels

A. Rolling panels will be installed from the interior. The first panel to go in will be the exterior unit. See Fig. 7 and 8 a,b. With the interlock side of the panel towards the center of the opening and facing outward, lift the panel up into the second channel in the head closest to the exterior. Tuck the bottom of the panel into the matching channel in the sill.

If a roller adjustment is necessary for alignment purposes, the panel needs to be removed. Remove the roller wheels from their housing and reinsert them into the next slot. Both wheels, per housing, need to be moved over to make an adjustment.

Fig. 4.

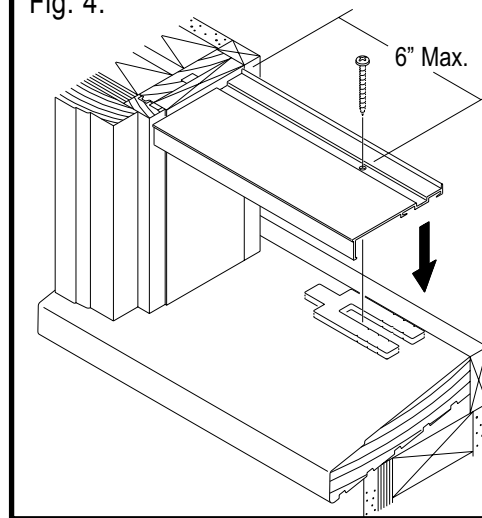


Fig. 5.

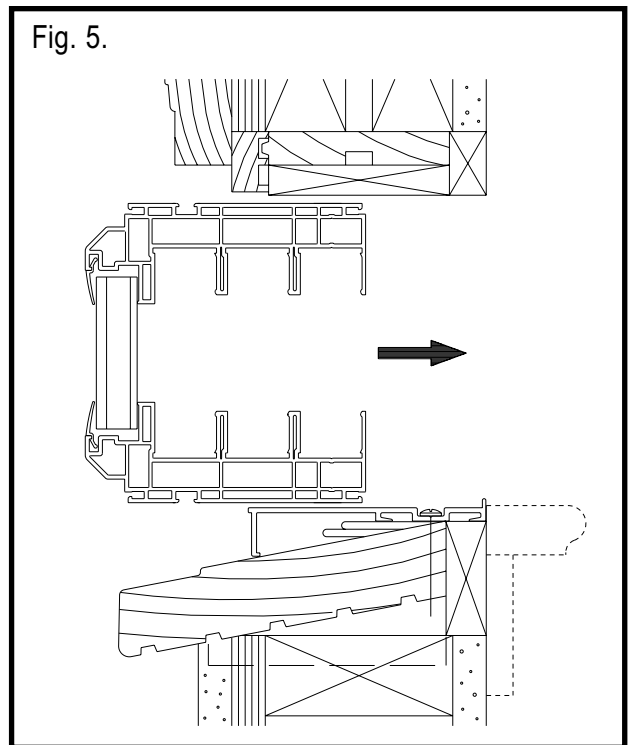
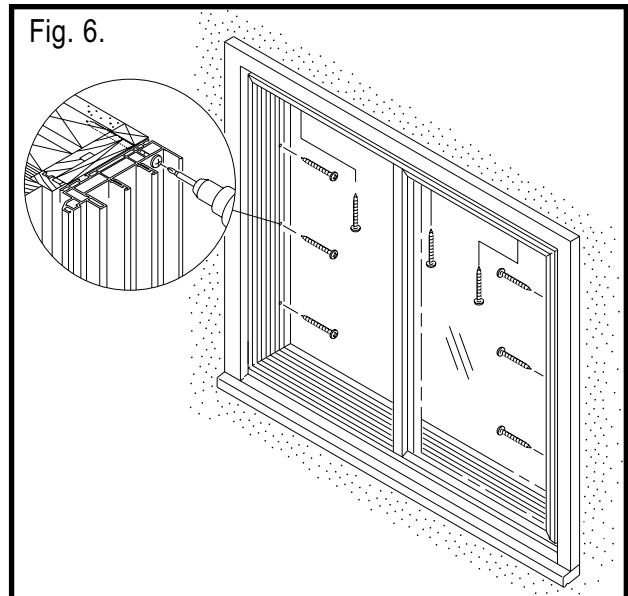
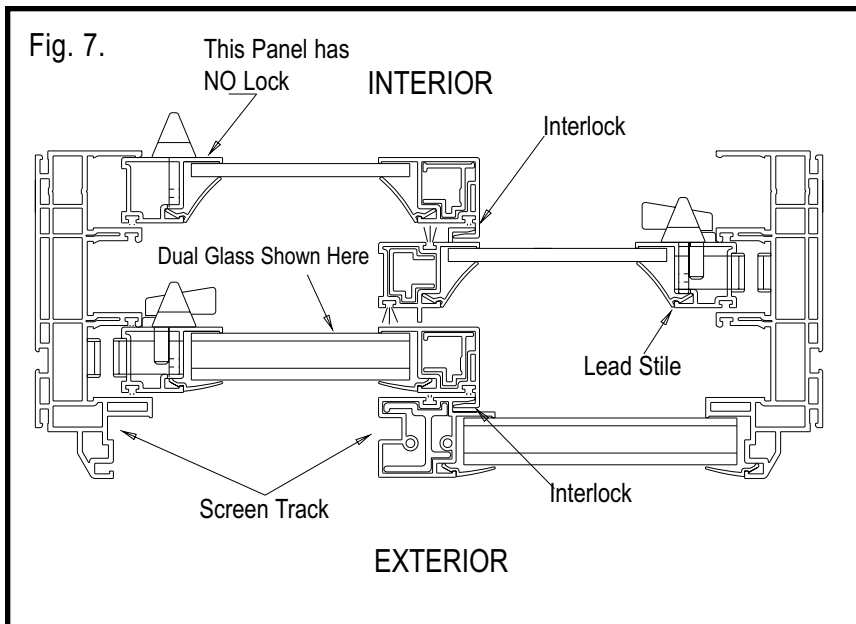


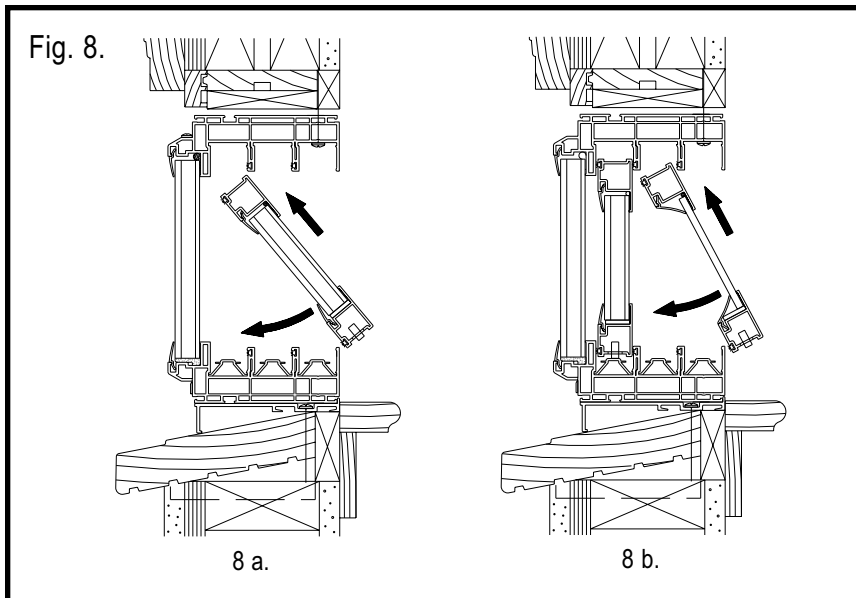
Fig. 6.





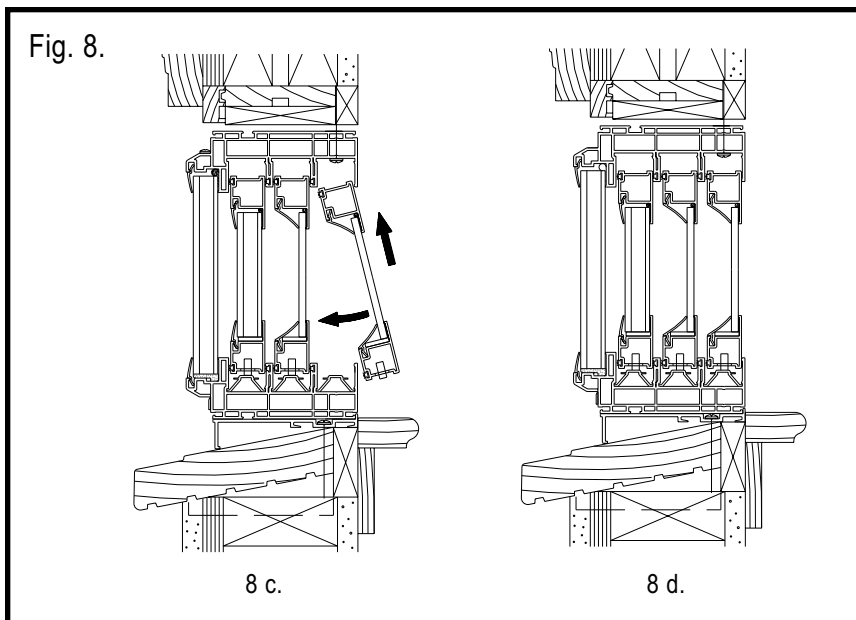
B. The other two panels are installed in the same manner. See Fig. 8 c,d. The second panel will have the locking mechanism installed in the lead stile. This panel should have the interlock in the center of the opening and facing into the room. See Fig. 7. The final panel will have the interlock in the center of the opening, facing outward.

C. If the screen frame is not installed when the unit is delivered, it should be installed now. Install the screen from the exterior. Insert the screen frame, the side with two leaf springs, into the recess in the center mullion. Push frame into mullion until frame clears opposite jamb. Once frame is in the screen track, push frame down to rest on sill.



5. Exterior Trim Installation

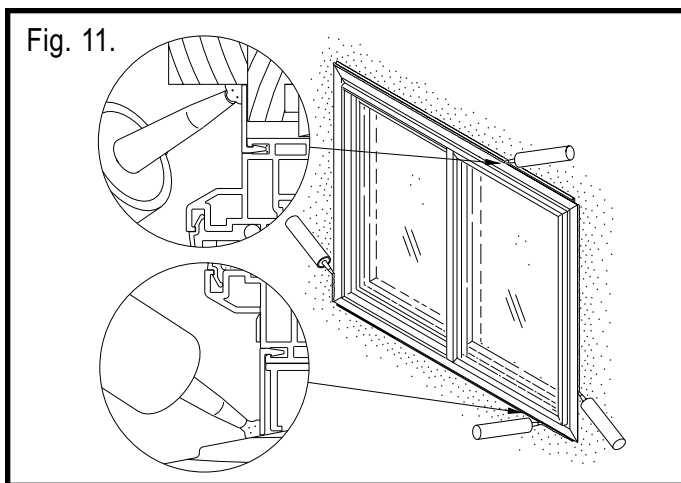
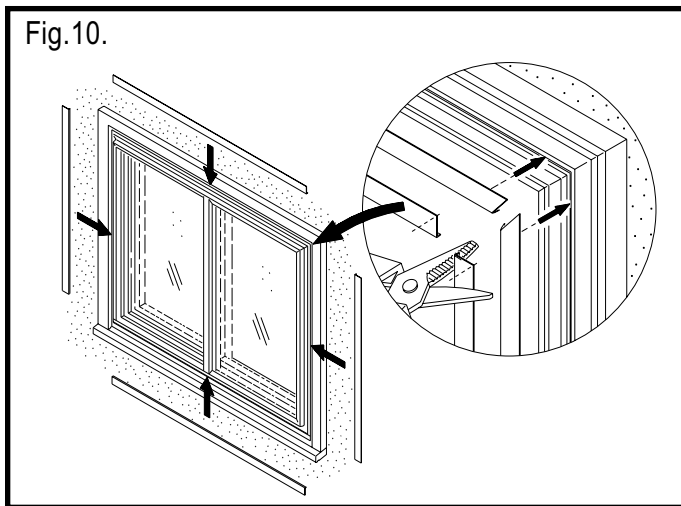
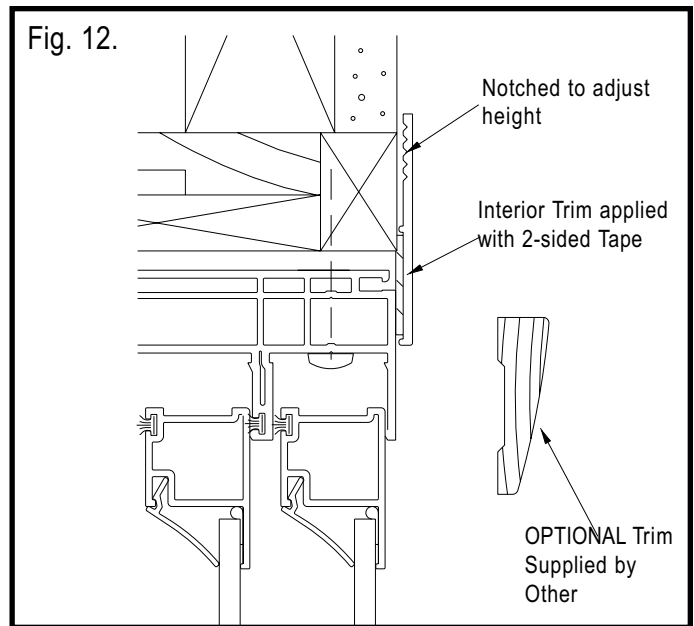
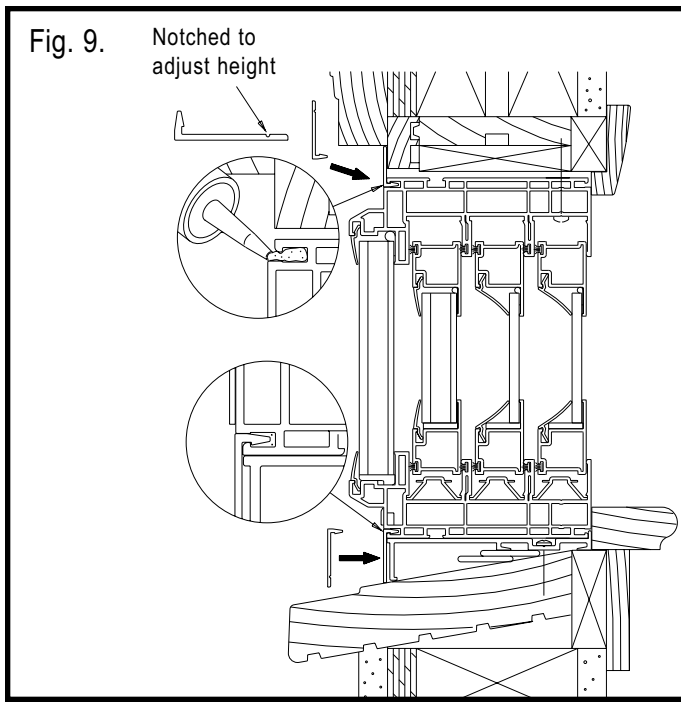
A. Flat exterior trim material is available to finish off the exterior look. The trim material will be sealed with an appropriate sealant and snapped into the gap that follows the perimeter of the frame. See Fig. 9. Measure the pieces to the frame and with a sharp knife or a heavy scissor, make a 45° cut for a miter fit. Care should be taken not to over cut trim. See Fig. 10.



B. Use a recommended sealant for the type of job and materials being used to apply a continuous bead of sealant around the outer edge of the trim you just installed. See Fig. 11.

6. Interior Trim Installation

A. A flat vinyl interior trim is available for concealing the gap between the existing frame and the newly installed window. The trim is applied to the new frame with a double face tape. See Fig. 12. Measure and cut trim to fit. It is your option to use this trim or you may want to use a more decorative wood trim.



- ♦ Wood trim, plant-ons, and pot shelves all require special precautions. When necessary under these conditions use metal flashing to prevent paper flashing from tearing. Use metal flashing on any horizontal surfaces where water may not drain.
- ♦ Seal all holes in the building paper including those caused by staples or nails.
- ♦ Interfaces between our products, flashing and the building's weather resistive barrier must be sealed with a sealant recommended for this application. We cannot recommend a particular type or manufacturer of sealant.
- ♦ Holes drilled for alarms may not be placed on sills or heads and must be sealed.
- ♦ Extreme weather conditions may cause water intrusion into your home and subsequent water damage.
- ♦ Consult a licensed engineer for an appropriated rating for expected local weather conditions.

SEMI-YEARLY MAINTENANCE

- ♦ Improperly maintained products will reduced the performance of any window or door. The sills and weeps must be cleaned regularly to allow for drainage. Water in the sill during a rainstorm is normal.
- ♦ Weatherstrip should be cleaned and fluffed on a regular basis. Wearing of the wool pile is normal. Wool pile should be replaced if gaps between the weatherstrip and frame appear.
- ♦ Harsh abrasive cleaners should never be used on frames or glass surface.

PLEASE KEEP THESE INSTRUCTIONS IN YOUR HOMEOWNER'S PACKET.

Visit Our Website @ www.intlwindow.com

International Window Corporation

5625 Firestone Blvd.,
South Gate, CA 90280
1-800-477-3391
Fax 562-928-3492

International Window - Northern California

30526 San Antonio Street,
Hayward, CA 94544
510-487-1122
Fax 510-471-9387

